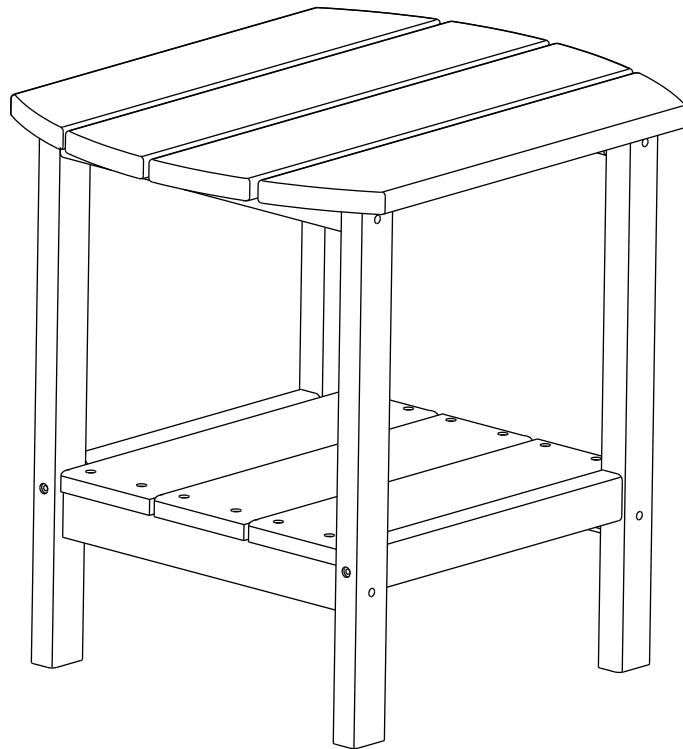


# ADIRONDACK SIDE TABLE









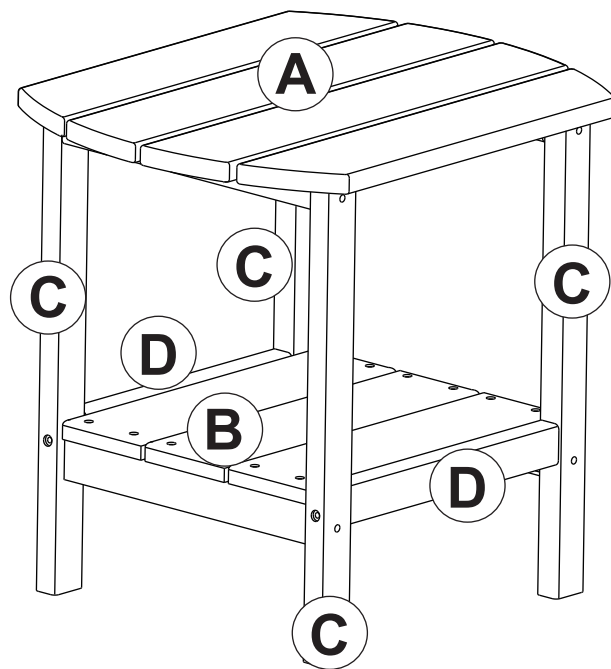
## **Assembly Consideration**

- Do not overtighten screws(Insert All screws before tighten screws)
- Follow Assembly Instructions Step by Step
- Do not discard original packaging if your received items damaged or with missing parts
- Count all Hardware parts before starting assembly
- Assemble items in a clear area and away from clutter to avoid misplacing assembly items

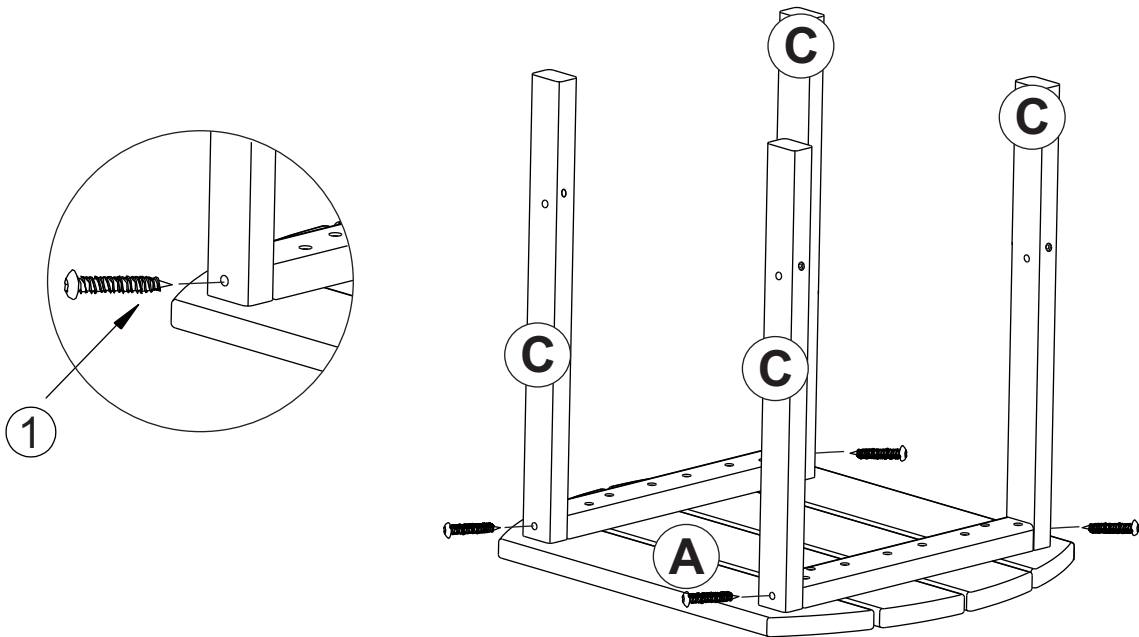
## **Safety Precautions**

- Avoid Using strong powertools to help prevent wood from cracking when assembly

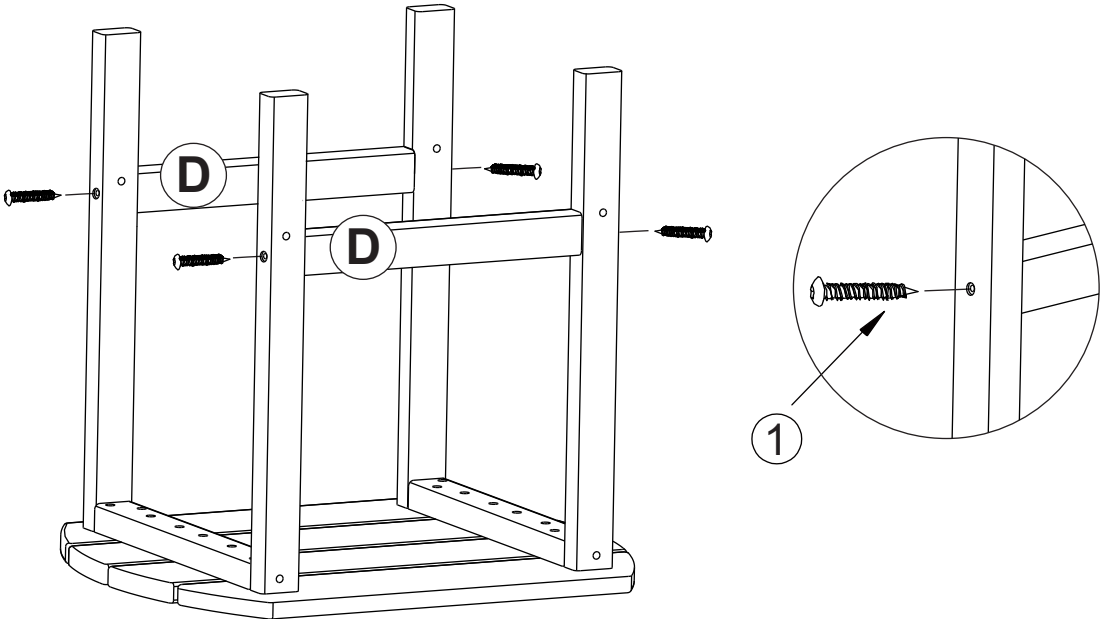
|          |   |             |          |  |              |
|----------|---|-------------|----------|--|--------------|
| <b>A</b> |  | <b>1pc</b>  | <b>1</b> | <br>M6.3X50 | <b>12pcs</b> |
| <b>B</b> |  | <b>1pc</b>  | <b>2</b> |             | <b>1pc</b>   |
| <b>C</b> |  | <b>4pcs</b> |          |  |              |
| <b>D</b> |  | <b>2pcs</b> |          |  |              |



# STEP:1



# STEP:2



# STEP:3

